



GESLFL16-225TG



GESLFL15-290TG



GESLFL19-260FG



GESLFL17-370FG



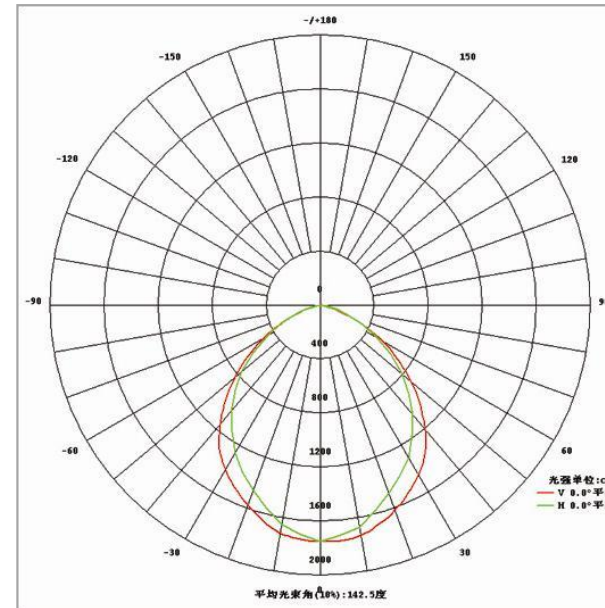
GESLFL18-570FG

## LED Flood Lights





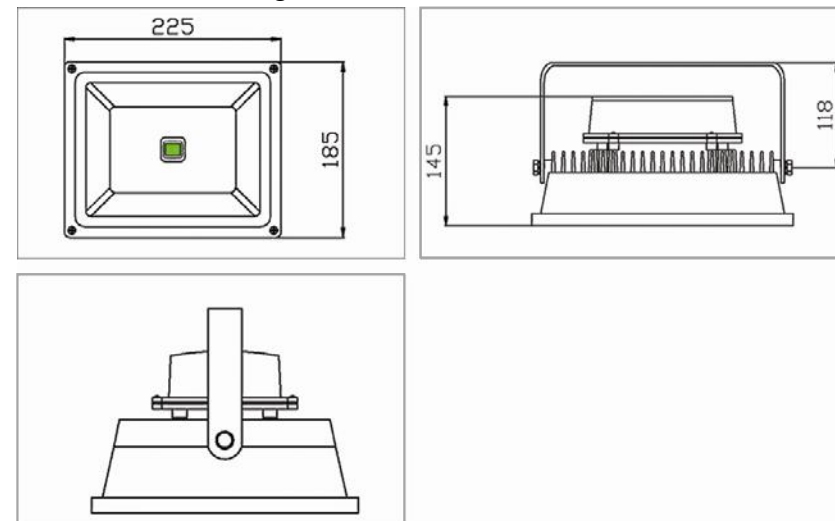
### Light Distribution Curve



### Main Benefits

- High Brightness - **100lm/w**. 10 times than incandescent lamps.
- Long Life - Up to 50,000 hours.
- Robust Design - Shock and vibration resistant. IP65.
- Eco-Friendly - No leads, mercury, argon, xenon or krypton gases
- Save Money – Reduce maintain and electricity cost. Save 50% - 70% electricity cost comparing with traditional sodium and mercury lamp.
- High Efficiency – Power factor>90%.
- Excellent Photometric Design - No ill glare, abrupt or frequent flashes
- Perfect Combination With solar Energy System

### Products Size Diagram

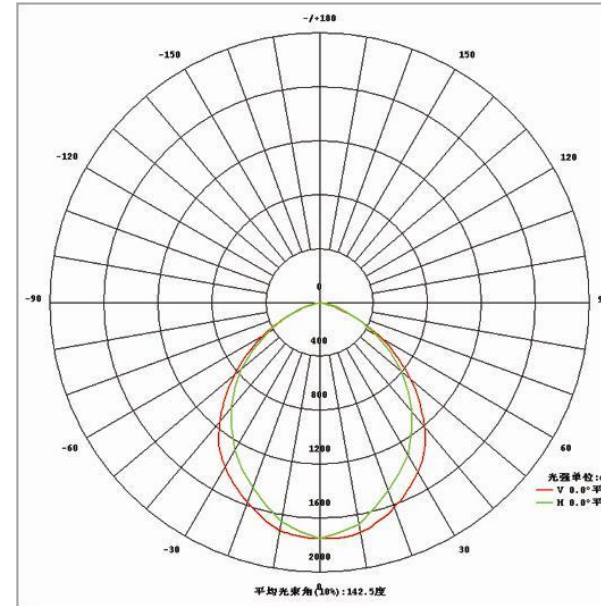




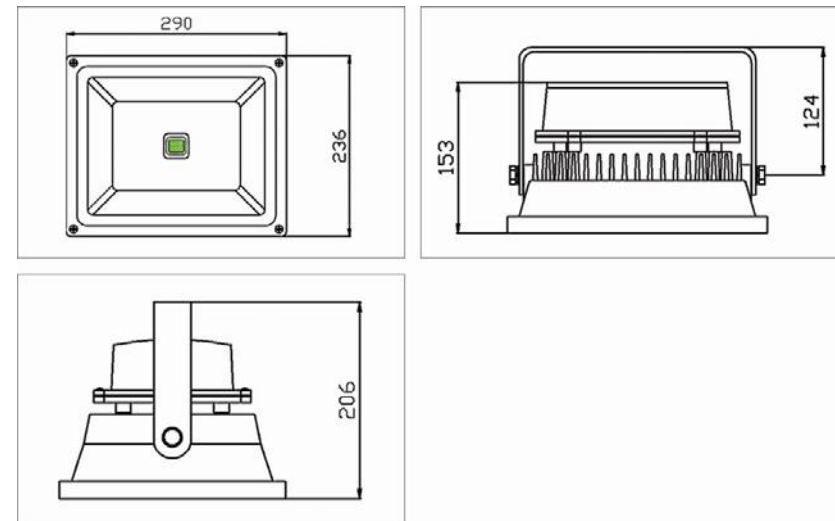
### Main Benefits

- High Brightness - **100lm/w.** 10 times than incandescent lamps.
- Long Life - Up to 50,000 hours.
- Robust Design - Shock and vibration resistant. IP65.
- Eco-Friendly - No leads, mercury, argon, xenon or krypton gases
- Save Money – Reduce maintain and electricity cost. Save 50% - 70% electricity cost comparing with traditional sodium and mercury lamp.
- High Efficiency – Power factor>90%.
- Excellent Photometric Design - No ill glare, abrupt or frequent flashes
- Perfect Combination With solar Energy System

### Light Distribution Curve



### Products Size Diagram





### Model

GESLFL16-225TG  
 GESLFL15-290TG

## Technical Parameters

Technical Specifications		
Model	GESLFL16225TG 10-30W	GESLFL15-290TG 30-50W
LED Power	10W-30W	30W-50W
Operation Voltage	AC (85V-265V) / Frequency (50Hz -60Hz) DC(12V 24V)	
LED Lighting Efficiency	100Lm/W	
Luminaire Efficiency	> 90%	
Effective Beam Angle	65°	
Color Rendering Index	Ra>80	
Color Temperature	2700K-7000K	
Light Color	White, Red, Green, Amber, Blue	
Ambient Temperature	-40°C -55°C	
IP Rating	IP65	
Life Span	>50000h	
Weight	2.3Kg	3.2Kg
Dimension	225mmX185mmX160mm	290mmX236mmX206mm

## Materials

High purity aluminum reflector and heat sink; high intensity tempered glass cover; single powerful LED light source; highly efficient imported driver..

## Applications

Factories, gyms, docks, bill boards, lawns, garden designs and other places where floodlight and decoration lighting are needed..

## Features

Single powerful led (10w-50w) is adopted as the light source, packaged in our factory using our own patented technology, characterized by high heat conductivity, low luminous decay, pure light color and ghosting free.

Various colors are available including red, green, blue, yellow, and white and so on. It is applicable for high power lighting in landscapes.

The LED is closely connected to the crust. The heat from LED will be removed from crust wings and also by the air cross-ventilation. The housing is made of die-cast aluminum and it can ensure its life-span effectively. 5mm high strength tempered glass cover perfectly matches light body, so that the luminaire can be used in high humidity environment.

The lights sealed by age resistant and high temperature resistant silicone rubber, its surface has been given treatment of anodic oxidation and plastic spraying. It can meet the requirement of IP65.

The reflector is made of high purity Aluminum imported from Germany. This kind of reflector has high reflecting efficiency ensuring good luminous flux. Our purpose designed reflectors allow us to determine the light uniformity and utilization ratio.

Quick start up without delay; It can reach normal brightness immediately when turned on. It can be switched on and off for thousands of times.

LED lights are environmentally friendly both in production and in use. LED's do not contain lead or mercury, argon, xenon or krypton gases. Nor do they emit infrared or ultraviolet radiation.

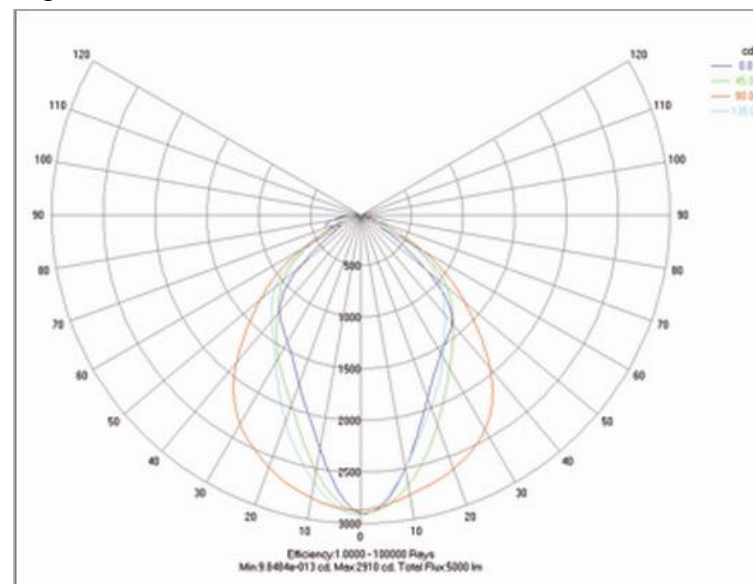
Easy and flexible installation; adjustable in any angle.

Our LED lights are an excellent partner for a solar panel system. We manufacture low voltage lights operating with direct current specifically for this application and our lights are frequently used by clients, who require a reliable, eco-friendly, cost effective lighting solution in locations where mains power is not available.

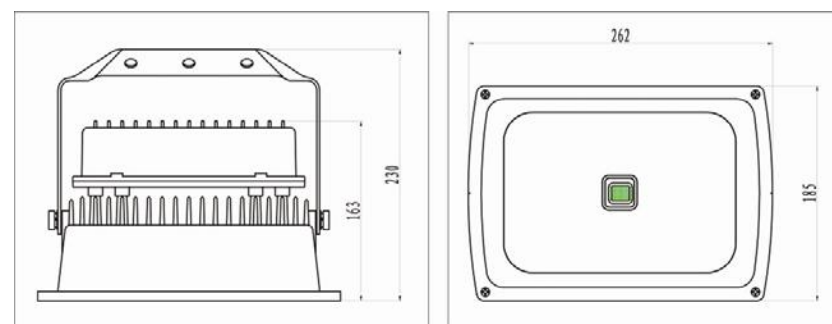




### Light Distribution Curve



### Products Size Diagram



## Technical Parameters

Technical Specifications	
Model	GESLFL19-260FG
LED Power	10W-40W
Operating Voltage	AC (85V-265V)/ Frequency (50Hz -60Hz) DC(12V 24V)
Power Supply Efficiency	> 90%
Power Factor	> 0.98
LED Lighting Efficiency	100Lm/W
Luminaire Efficiency	> 90%
Color Rendering Index	Ra>80
Color Temperature	2700K-7000K
Ambient Temperature	-40°C -55°C
IP Rating	IP65
Life Span	>50000h
Weight	3.3Kg
Dimension	262mmX185mmX230mm

## Materials

High-purity aluminum housing  
 Ultra-white high flux wave tempered glass  
 Vacuum plated reflector  
 Packed multi-chip LED  
 High efficiency LED driver.

## Applications

Factory, gym, dock, billboard, architecture, lawn, landscape project and other places where floodlight and light decoration are needed.

## Features

LFL19-260FG series are environment friendly products newly launched by our company. LFL19-260FG falls into two categories, respectively LS-260TS (spotlight) and LFL19-260FG FG(floodlight).

Compact structure, beautiful appearance, heat and humid resistance and good airproof performance.

Quick start-up, high lighting efficiency, visually vivid, no flashes or harm to eyes and skin, operated safely.

Use single powerful LED as the light source, with our own intellectual property rights for LED encapsulation, 50000 hours continuously working, life can be more than 10 years, there is no need to replace light source,

Die-cast aluminum housing; the power supply chamber and light source cavity are completely separated; the heat from LED will be removed through outer heat wings by air cross-ventilation to ensure life of LED and power supply.

U-shaped fixture is treated bent so that the installation angle is 180 deg., lighting down angle can be adjusted down to 45°.

Ultra-white wave tempered glass prevents adverse flare; special sealing structure ensures IP 65.

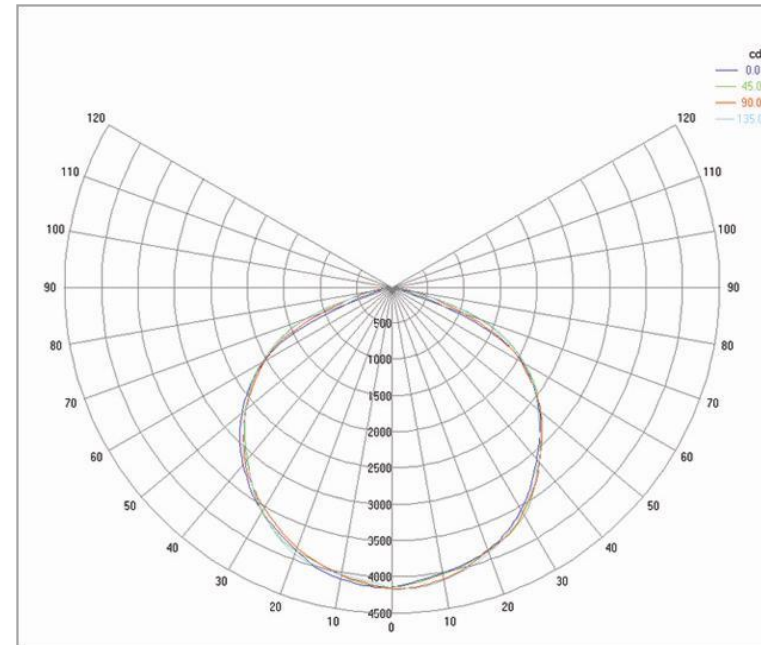
Environmentally friendly both in production and in use, high stability. LED's do not contain lead or mercury, argon, xenon or krypton gases. Nor do they emit infrared or ultraviolet radiation.



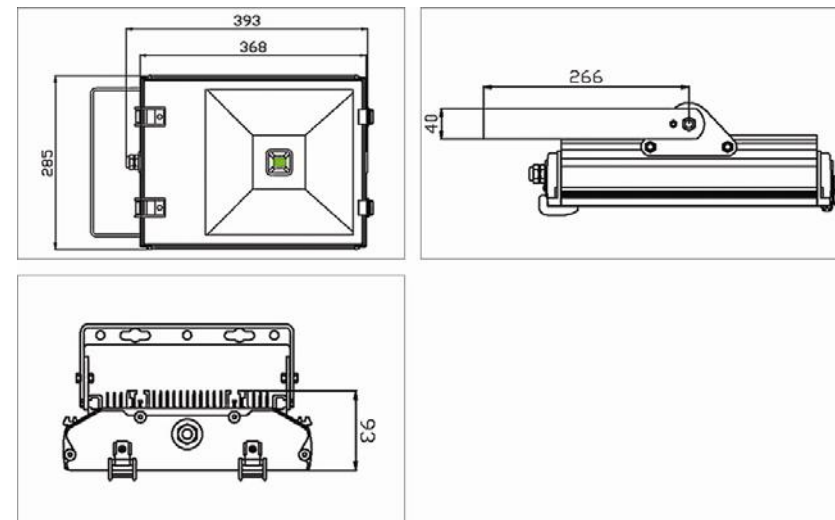
### Main Benefits

- High Brightness - **100lm/w**. 10 times than incandescent lamps.
- Long Life - Up to 50,000 hours.
- Robust Design - Shock and vibration resistant. IP65.
- Eco-Friendly - No leads, mercury, argon, xenon or krypton gases
- Save Money – Reduce maintain and electricity cost. Save 50% - 70% electricity cost comparing with traditional sodium and mercury lamp.
- High Efficiency – Power factor>90%.
- Excellent Photometric Design - No ill glare, abrupt or frequent flashes
- Perfect Combination With solar Energy System

### Light Distribution Curve



### Products Size Diagram

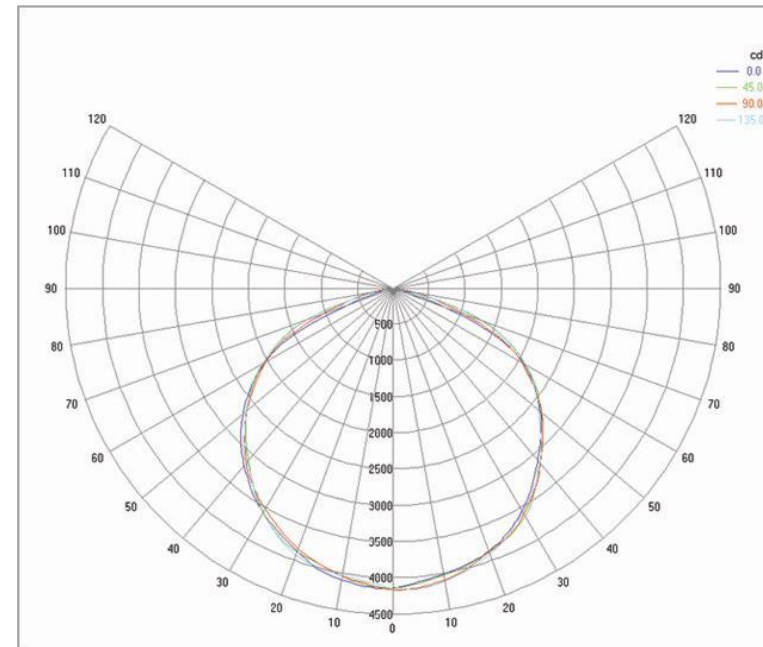




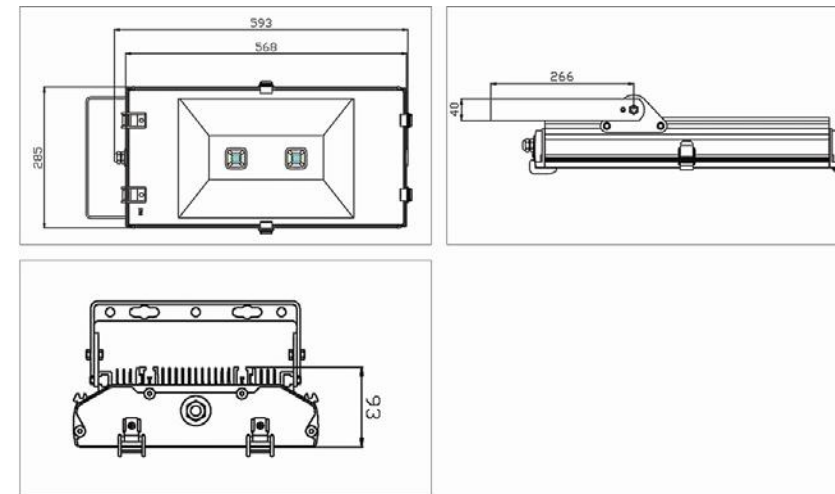
### Main Benefits

- High Brightness - **100lm/w.** 10 times than incandescent lamps.
- Long Life - Up to 50,000 hours.
- Robust Design - Shock and vibration resistant. IP65.
- Eco-Friendly - No UV, IR, lead and mercury.
- Save Money – Reduce maintain and electricity cost. Save 50% - 70% electricity cost comparing with traditional sodium and mercury lamp.
- High Efficiency – Power factor>90%.
- Excellent Photometric Design - No ill glare, abrupt or frequent flashes
- Perfect Combination With solar Energy System

### Light Distribution Curve



### Products Size Diagram





### Model

GESLFL17-370FG

GESLFL18-570FG

### Technical Parameters

Technical Specifications		
Model	GESLFL17-370FG	GESLFL18-570FG
LED Power	10W-70W	80W-140W
Operation Voltage	AC (85V-265V) / Frequency (50Hz -60Hz) DC(12V 24V)	
LED Lighting Efficiency	100Lm/W	
Luminaire Efficiency	> 90%	
Color Rendering Index	Ra>80	
Color Temperature	2700K-7000K	
Light Color	White, Red, Green, Amber, Blue	
Ambient Temperature	-40°C -55°C	
IP Rating	IP65	
Life Span	>50000h	
Weight	7.39 Kg	10.6 Kg
Dimension	393mmX285mmX93mm	593mmX285mmX93mm

### Materials

High purity aluminum reflector and heat sink; 5mm high intensity tempered glass cover; single powerful LED; High efficiency LED driver..

### Applications

Shopping malls, court yard, bill board, squares, roads, buildings and other places where outdoor lighting is needed.

## Features

Powerful LEDs (10W-70W) are adopted as the light source, packaged in our factory using our own patented technology.

Various colors are available including red, green, blue, yellow, white and so on. It's applicable for high power lighting in landscape

The LED is closely connected to the crust. The heat from LED will be removed from crust wings and also by the air cross-ventilation. The housing is made of die-cast aluminum and it can ensure it's lifespan effectively. 5mm high strength tempered glass cover perfectly matches light body. So that the luminaire can be used in high humidity environment.

Lights sealed by age resistant and high temperature resistant silicone rubber. Its surface has been given treatment of anodic oxidation and plastic spraying. It can meet the requirement of IP65

The reflector is made of high purity aluminum imported from Germany. This kind of reflector has high reflecting efficiency ensuring good luminous flux. Our purpose designed reflectors allow us to determine the light distribution characteristics of our various models ensuring greater light uniformity and utilization ratio.

Quick start up without delay. It can reach normal brightness immediately when turned on. It can be switched on and off for thousands of times.

LED can reveal more vivid and true color. A diversity of light colors are optional to meet different environment requirements. It has removed depression caused by lower color temp of sodium light and higher color temp of mercury light. Bring more comfortable feeling.

LED lights are environmentally friendly both in production and in use. LED's do not contain lead or mercury, argon, xenon or krypton gases. Nor do they emit infrared or ultraviolet radiation.

Easy and flexible installation. Be adjustable in any angle.

Our LED lights are an excellent partner for a solar panel system. We manufacture low voltage lights operating with direct current specifically for this application and our lights are frequently used by clients, who require a reliable, environmentally friendly, cost effective lighting solution in locations where mains power is not available.



## Contact us

Company: GenPro Energy Solutions

Address: PO Box 1285, Rapid City, South Dakota

Zip: 57709

Tel: 866.593.0777

Fax: 605.341.9918

Contact: Tim Teeslink, Sales Manager

Email: [tim@genproenergy.com](mailto:tim@genproenergy.com)