



GESLS-225TS



GESLS-370TS



GESLS260TS



GESLS-570TS



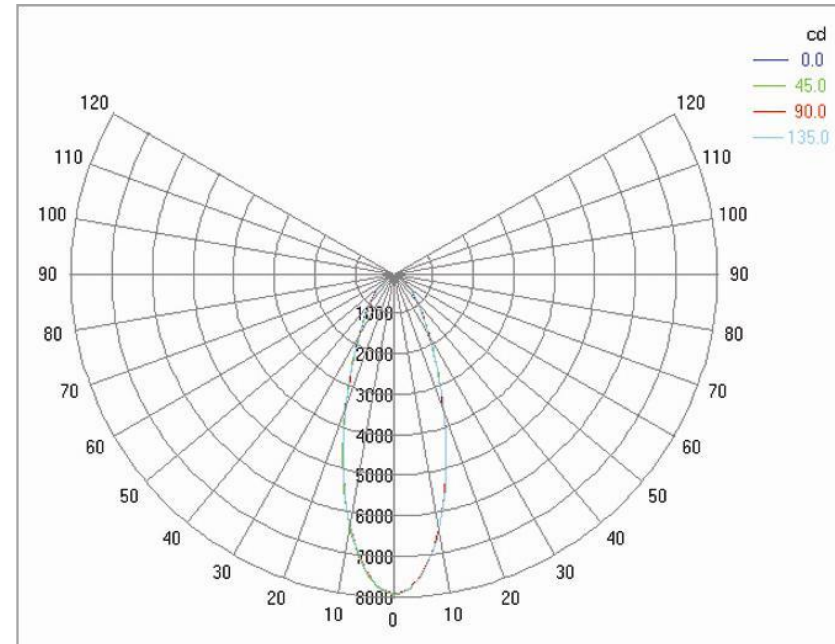
GESLS-290TS



# LED Spotlights



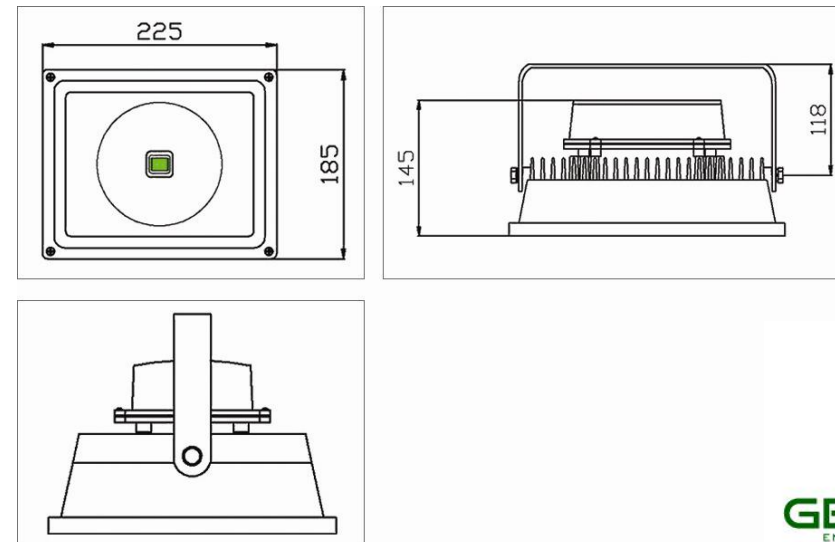
### Light Distribution Curve



### Main Benefits

- High Brightness - **100lm/w**. 10 times than incandescent lamps.
- Long Life - Up to 50,000 hours.
- Robust Design - Shock and vibration resistant.
- Eco-Friendly - No leads, mercury, argon, xenon or krypton gases.
- Save Money – Reduce maintain and electricity cost. Save 50% - 70% electricity cost comparing with traditional sodium and mercury lamp.
- High Efficiency – Power factor>95%.
- Excellent Photometric Design - No ill glare, abrupt or frequent flashes
- Perfect Combination With solar Energy System

### Products Size Diagram

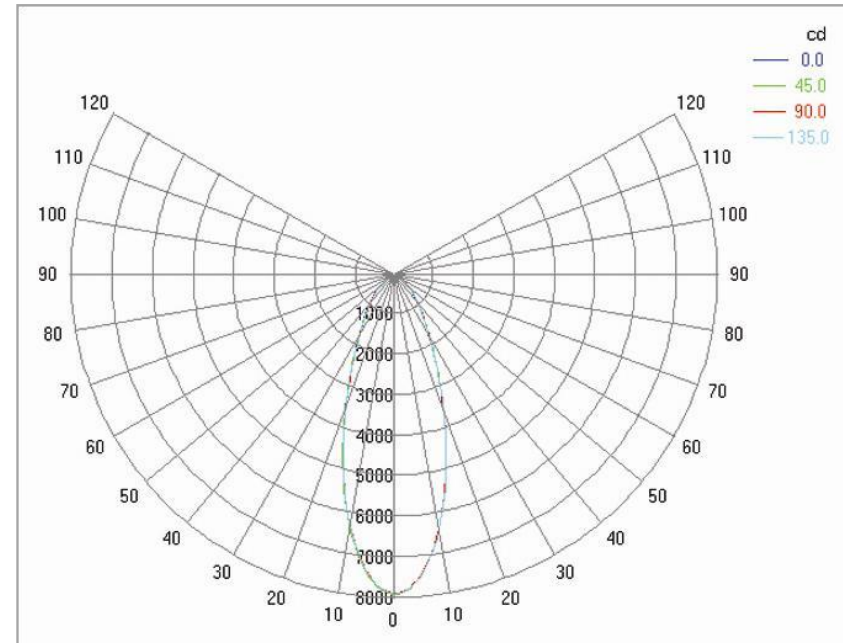




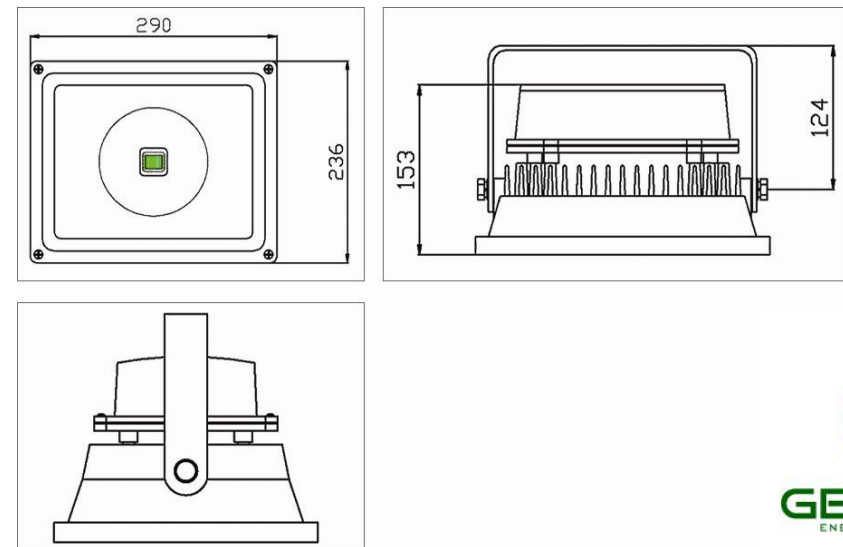
### Main Benefits

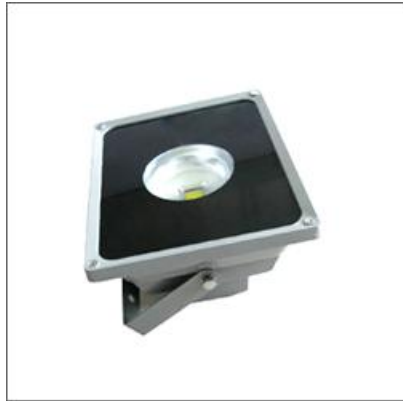
- High Brightness - **100lm/w**. 10 times than incandescent lamps.
- Long Life - Up to 50,000 hours.
- Robust Design - Shock and vibration resistant.
- Eco-Friendly - No leads, mercury, argon, xenon or krypton gases
- Save Money – Reduce maintain and electricity cost. Save 50% - 70% electricity cost comparing with traditional sodium and mercury lamp.
- High Efficiency – Power factor>95%.
- Excellent Photometric Design - No ill glare, abrupt or frequent flashes
- Perfect Combination With solar Energy System

### Light Distribution Curve



### Products Size Diagram





## Model

GESLS-225TSE

GESLS-260TSE

## Technical Parameters

Technical Specifications		
Model	GESLS-225TSE	GESLS-290TSE
LED Power	10W-30W	30W-50W
Operation Voltage	AC (85V-265V) / Frequency (50Hz -60Hz)DC(12V 24V)	
LED Lighting Efficiency	100Lm/W	
Luminaire Efficiency	> 90%	
Color Rendering Index	Ra>80	
Color Temperature	2700K-7000K	
Light Color	White, Red, Green, Amber, Blue	
Ambient Temperature	-40°C -55°C	
IP Rating	IP65	
Life Span	>50000h	
Weight	2.3Kg	3.3Kg
Dimension	225mmX185mmX160mm	290mmX236mmX206mm

## Materials

High purity aluminum reflector and heat sink; High intensity tempered glass cover; Single powerful LED lighting source; High efficient driver.

## Applications

Factories, gyms, docks, billboards, buildings, lawns, garden design and other place where flood lighting or decorative lighting are needed



## Features

Powerful LEDs (10W-50W) are adopted as the light source, packaged in our factory using our own patented technology.

Various colors are available including red, green, blue, yellow, white and so on. It's applicable for high power lighting in landscape

The LED is closely connected to the crust. The heat from LED will be removed from crust wings and also by the air cross-ventilation. The housing is made of die-cast aluminum and it can ensure it's lifespan effectively. 5mm high strength tempered glass cover perfectly matches light body. So that the luminaire can be used in high humidity environment.

Lights sealed by age resistant and high temperature resistant silicone rubber. Its surface has been given treatment of anodic oxidation and plastic spraying. It can meet the requirement of IP65

The reflector is made of high purity aluminum imported from Germany. This kind of reflector has high reflecting efficiency ensuring good luminous flux. Our purpose designed reflectors allow us to determine the light distribution characteristics of our various models ensuring greater light uniformity and utilization ratio.

Quick start up without delay. It can reach normal brightness immediately when turned on. It can be switched on and off for thousands of times.

LED lights are environmentally friendly both in production and in use. LED's do not contain lead or mercury, argon, xenon or krypton gases. Nor do they emit infrared or ultraviolet radiation.

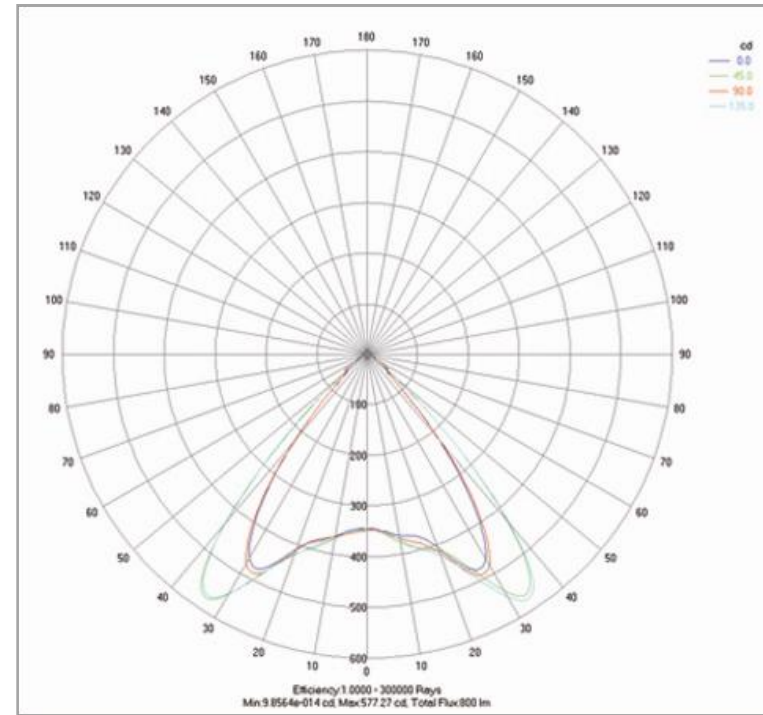
Easy and flexible installation. Be adjustable in any angle.

Our LED lights are an excellent partner for a solar panel system. We manufacture low voltage lights operating with direct current specifically for this application and our lights are frequently used by clients, who require a reliable, environmentally friendly, cost effective lighting solution in locations where mains power is not available.

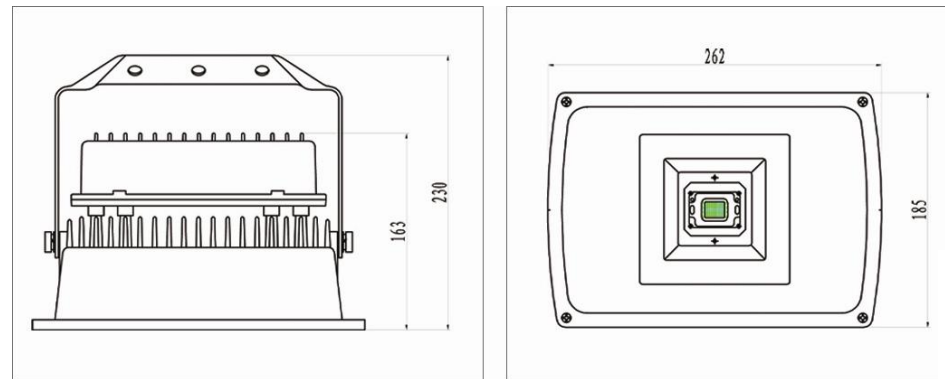




### Light Distribution Curve



### Products Size Diagram



## Technical Parameters

Technical Specifications	
Model	GESLS-260TSE (10W-40W)
LED Power	10W-40W
Operation Voltage	AC (85V-265V) / Frequency (50Hz -60Hz)DC(12V 24V)
LED Lighting Efficiency	100Lm/W
Luminaire Efficiency	> 90%
Color Rendering Index	Ra > 80
Color Temperature	2700K-7000K
Light Color	White, Red, Green, Amber, Blue
Ambient Temperature	-40°C -55°C
IP Rating	IP65
Life Span	> 50000h
Weight	3.3Kg
Dimension	262mmX185mmX230mm

## Materials

High purity aluminum housing; Ultra white high flux wave tempered glass.;  
Vacuum plated reflector; Packed multi-chip LED

## Applications

Factory, gym, dock, billboard, architecture, lawn, landscape project and other places where  
Flood lighting or decorative lighting are needed.

## Features

Powerful LEDs (10W-40W) are adopted as the light source, packaged in our factory using our own patented technology.

Compact structure, beautiful appearance, heat and humid resistance and good airproof performance

Use single powerful LED as the light source, with our own intellectual property rights for LED encapsulation. 50000 hours continuously working. Lifespan can be over 10 years. There is no need to replace light source.

Die-cast aluminum housing; Power supply chamber and light source cavity are completely separated; Heat from LED will be removed through outer heat wings by air cross-ventilation to ensure life of LED and power supply.

U-shaped fixtures is treated bent so that the installation angle is 180 degree. Lighting down angle can be adjusted down to 45 degree.

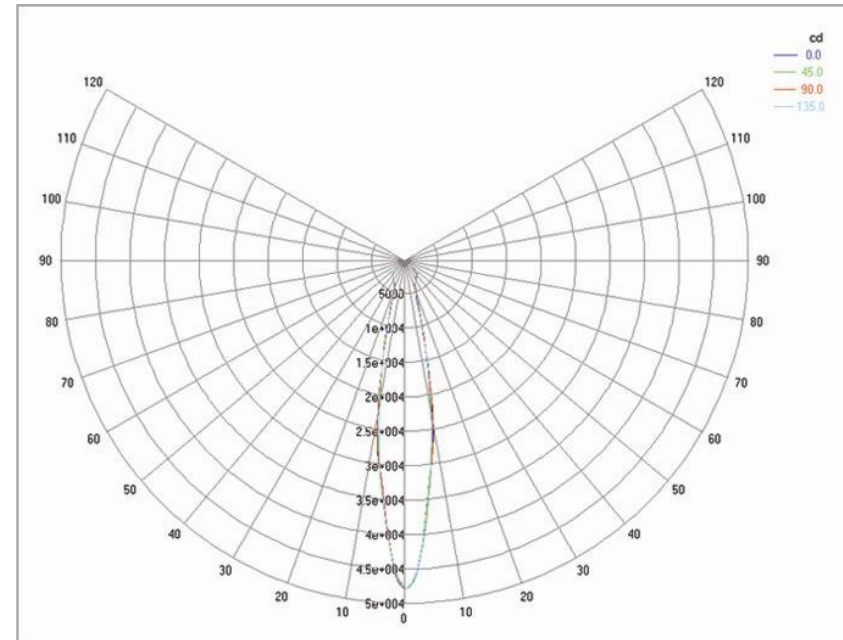
Ultra-white wave tempered glass prevent adverse flare; Special sealing structure ensures IP65

It's eco-friendly both in production and in use. High stability. LED's do not contain lead, mercury, argon, xenon or krypton gases. Nor do they emit infrared or ultraviolet radiation





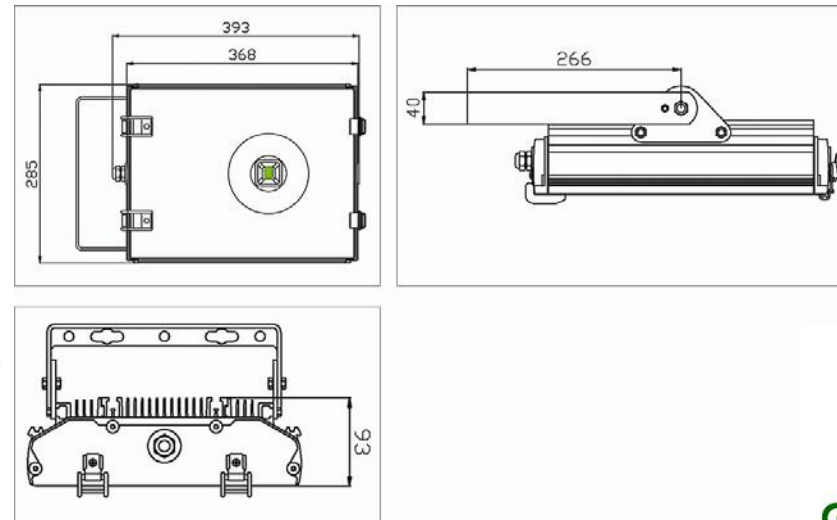
### Light Distribution Curve



### Main Benefits

- High Brightness - **100lm/w**. 10 times than incandescent lamps.
- Long Life - Up to 50,000 hours.
- Robust Design - Shock and vibration resistant.
- Eco-Friendly - No leads, mercury, argon, xenon or krypton gases
- Save Money – Reduce maintain and electricity cost. Save 50% - 70% electricity cost comparing with traditional sodium and mercury lamp.
- High Efficiency – Power factor>90%.
- Excellent Photometric Design - No ill glare, abrupt or frequent flashes
- Perfect Combination With Solar Energy

### Products Size Diagram

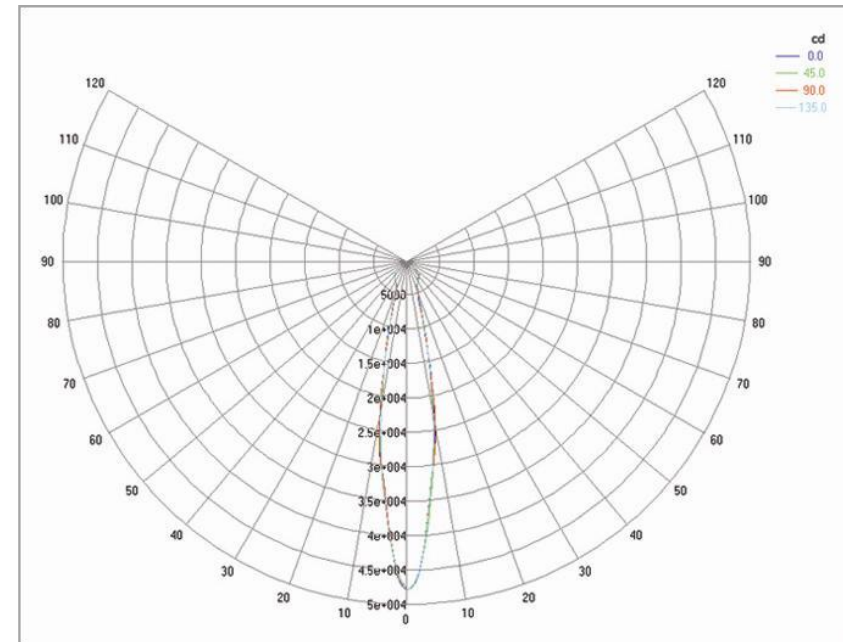




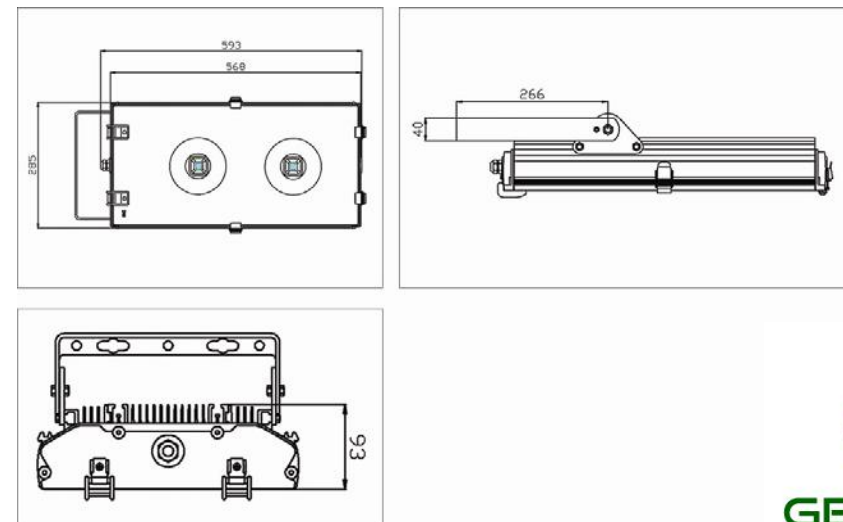
### Main Benefits

- High Brightness - **100lm/w**. 10 times than incandescent lamps.
- Long Life - Up to 50,000 hours.
- Robust Design - Shock and vibration resistant.
- Eco-Friendly - No leads, mercury, argon, xenon or krypton gases
- Save Money – Reduce maintain and electricity cost. Save 50% - 70% electricity cost comparing with traditional sodium and mercury lamp.
- High Efficiency – Power factor>90%.

### Light Distribution Curve



### Products Size Diagram





### Model

GESLS-370TSE

GESLS-570TSE

## Technical Parameters

Technical Specifications		
Model	GESLS-370TSE (30-70W)	GESLS-570TSE (80-140W)
LED Power	30W-70W	80W-140W
Operation Voltage	AC (85V-265V) / Frequency (50Hz -60Hz)DC(12V 24V)	
LED Lighting Efficiency	100Lm/W	
Luminaire Efficiency	> 90%	
Color Rendering Index	Ra>80	
Color Temperature	2700K-7000K	
Light Color	White, Red, Green, Amber, Blue	
Ambient Temperature	-40°C -55°C	
IP Rating	IP65	
Life Span	>50000h	
Weight	7.39Kg	10.6Kg
Dimension	393mmX285mmX93mm	593mmX285mmX93mm

## Materials

High purity aluminum reflector and heat sink; High intensity tempered glass cover; Single powerful LED lighting source; High efficient driver.

## Applications

Factories, gyms, docks, billboards, buildings, lawns, garden design and other place where flood lighting or decorative lighting are needed



## Features

Powerful LEDs (10W-70W) are adopted as the light source, packaged in our factory using our own patented technology.

Various colors are available including red, green, blue, yellow, white and so on. It's applicable for high power lighting in landscape

The LED is closely connected to the crust. The heat from LED will be removed from crust wings and also by the air cross-ventilation. The housing is made of die-cast aluminum and it can ensure it's lifespan effectively. 5mm high strength tempered glass cover perfectly matches light body. So that the luminaire can be used in high humidity environment.

Lights sealed by age resistant and high temperature resistant silicone rubber. Its surface has been given treatment of anodic oxidation and plastic spraying. It can meet the requirement of IP65

The reflector is made of high purity aluminum imported from Germany. This kind of reflector has high reflecting efficiency ensuring good luminous flux. Our purpose designed reflectors allow us to determine the light distribution characteristics of our various models ensuring greater light uniformity and utilization ratio.

Quick start up without delay. It can reach normal brightness immediately when turned on. It can be switched on and off for thousands of times.

LED can reveal more vivid and true color. A diversity of light colors are optional to meet different environment requirements. It has removed depression caused by lower color temp of sodium light and higher color temp of mercury light. Bring more comfortable feeling.

LED lights are environmentally friendly both in production and in use. LED's do not contain lead or mercury, argon, xenon or krypton gases. Nor do they emit infrared or ultraviolet radiation.

Easy and flexible installation. Be adjustable in any angle.

Our LED lights are an excellent partner for a solar panel system. We manufacture low voltage lights operating with direct current specifically for this application and our lights are frequently used by clients, who require a reliable, environmentally friendly, cost effective lighting solution in locations where mains power is not available.



## Contact us

GenPro Energy Solutions  
PO Box 1285  
Rapid City, South Dakota 57709-1285  
Phone: 866.593.0777  
Fax: 605.341.9918  
Email: [lighting@genproenergy.com](mailto:lighting@genproenergy.com)

