

QuadroMAX® LED FIXTURE

QM SERIES



Mounting Options



PRODUCT DESCRIPTION:

Scalable to stretch across four categories of outdoor lighting, MaxLite's QuadroMAX cuts a striking figure in any application. Along with a fully scalable design accommodating up to 160 watts of LED's with different distributions, the QuadroMAX's interchangeable mounting accessories make it a complete solution for any project. Its svelte yet functional form is fully customizable, capable of outshining incumbent outdoor lighting with affordability and ease.

FEATURES:

- From 5,700 to 20,000 lumens
- Main housing designed to accept multiple mounting options.
- Depending on the mounting bracket selected, can be easily installed and used in canopy, area, flood and wall mounted applications
- 3 NEMA distributions available: Type III, Type IV and Type V
- Bottom-mounted occupancy sensor and top-mounted NEMA photocontrol receptacles available
- > 130,000-hour L70 Lifetime (TM-21, @ 25°C)
- 0-10V dimmable driver standard available in 120-277V or 347/480V
- 20kV surge suppressor standard
- >102 lm/W
- CCT: 5000K and 4000K; CRI: >70
- Ten year limited warranty

CONSTRUCTION:

- Die cast A380 Aluminum; Steel construction for trunnion and copy mounts
- Single extrusion heat sink designed to maximize heat dissipation and maximize lifetime
- Independent LED engine arrays and optics
- Stainless steel hardware
- High efficiency PC lens optics
- 12"-18/5 SJT-600V shielded power feed cord included standard (Power and Control wires)

WARRANTY:

This product may qualify for a 10-year warranty. Contact MaxLite Inside Sales for details.

MODEL SELECTION Typical order example: QM-6AH7T340PM-B-RPC

QM				7					B		
FAMILY	-	LED ENGINES	DRIVER	DRIVE CURRENT	DISTRIBUTION	CCT	MOUNTING	-	COLOR	-	CONTROLS
QM= QuadroMAX LED Fixture	-	2A= 24 LEDs, (55W) 6000-6300 lm 3A= 36 LEDs, (80W) 8900-9300 lm 4A= 48 LEDs, (110W) 12,000-12,600 lm 5A= 60 LEDs, (135W) 14,800-15,500 lm 6A= 72 LEDs, (160W) 17,800-18,600 lm	*U= 120-277V *H= 347-480V	7= 700mA *8= 800mA	T3= Type III T4= Type IV T5= Type V	*30= 3000K 40= 4000K 50= 5000K	N= None C= Canopy	-	B= Bronze, Standard.	-	(OMIT)= None MS4= Sensor (Hi/Low/Off) RPC= NEMA Rotatable Photocontrol Receptacle (Standard) ² PR5= Photocontrol Receptacle 5 pin PR7= Photocontrol Receptacle 7 pin BPC= Button Photocontrol

NOTES:

1. No controls included
2. Only available on QM6A with 5-year warranty.
3. MS4 only available on 120-277V models.
4. Contact factory to program AstroDIM feature.
5. Mountings sold separately. Canopy mount sold with fixture.

NOTES:

*Made-to-order item. Please contact your MaxLite representative for order quantities and lead times.

MOUNTING ORDERING CODES:

Order Example QM-SK-B				
FAMILY	-	MOUNTING	-	COLOR
QM=	-	PM= Rigid Pole Mount SK= Slipfitter Knuckle SF= Slipfitter Fixed FS= Fixed Surface KS= Knuckle Surface TS= Trunnion Swivel WP= Wall Pack	-	B= Bronze

HID EQUIVALENCIES:

MODEL #	LED WATTS	APROX LUMENS	EQ. HID
QM-2A	55	6,000	175W MH
QM-3A	80	9,000	250W MH
QM-4A	110	12,000	320 PSMH
QM-5A	135	15,000	400W MH
QM-6A	160	17,000	400W PSMH
QM-6AX8	185	20,000	400W PSMH

MOUNTING: Mountings sold separately. Canopy mount sold with fixture.



Rigid Pole Mount (PM)



Slipfitter Knuckle (SK)



Slipfitter Fixed (SF)



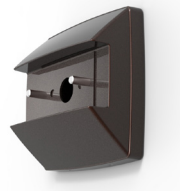
Fixed Surface (FS)



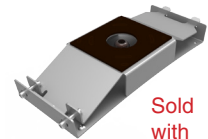
Knuckle Surface (KS)



Trunnion Swivel (TS)



Wall Pack (WP)



Canopy (CP)

Sold with fixture.

SPECIFICATIONS:

		QM-XXXXXXXX-X-XXX
ITEM	SPECIFICATION	DETAILS
GENERAL PERFORMANCE	Color Temperature (CCT)	4000K, 5000K
	CRI	70 min
	Efficacy	102 to 116 LPW
	L70 @ 25°C	≥ 130,000 hrs
ELECTRICAL	Power Factor	Over 90%
	Input Voltage	120V-277V 50/60 Hz or 347-480V 50/60 Hz
PHYSICAL	Housing	Die cast aluminum with powder coat paint
	Lens	Polycarbonate
	Operating Temperature	-30°F to 104°F
	Dimensions	See PHYSICAL SPECIFICATIONS table on page 3
	Weight	See PHYSICAL SPECIFICATIONS table on page 3
CERTIFICATION	Qualification	DLC 4.1 Standard, UL 1598, LM-80, LM-79, TM-21
	Environment	Dry & Wet Location
	Humidity	5% - 90% RH, non condensing
	Warranty	10 years

CONTROLS OPTIONS:

MS4 Options

- Omni-directional quad element infrared sensor
- Frequency detection zero-cross relay switching
- 0-10V selectable output for low dim control
- 8 Control modes set via rotary DIP switch
- 7 dimming levels and 7 delay time settings via AccuSet

PR5 or PR7 options:

Allow the use of 3rd party distributed intelligence controllers designed to connect to the fixture via our NEMA standard C136.41 5- or 7-pin twist lock receptacle to provide dimming and On/Off control.

AstroDIM (Night time energy reduction pre-programmed feature):

Factory programmable feature providing autonomous dimming without the need for external control wiring. The driver will execute a preset dimming profile to reduce night-time power consumption. The dimming is regulated by an integrated timer which adjusts the dimming profile according to the operation hours from the previous night (operation from switch-on to switch-off). The dimming profile integrates into existing installations, with an algorithm that ignores power interruptions. This profile can provide 5-30% energy savings depending on the dimming profile, without the need for external controls or motion sensors. Please consult with factory prior to ordering.

Photo/Motion Sensor: The Wattstopper FSP-211 uses

passive infrared (PIR) sensing technology to react to changes in infrared energy (i.e. moving body heat) within the coverage area. This slim, low-profile sensor is designed for installation inside the bottom of a light fixture body and is ideal for outdoor environments. The sensor operates at 120V/230V-240V and single phase 277V. The motion sensor is fully adjustable with high and low dimmed light level options with optional dusk to dawn control. Sensor can be combined with various lenses to operate at mounting heights from 8' to 40'. Factory settings can be adjusted via the FSIR-100, a wireless configuration tool. **Note that the sensor comes with photocell setting disabled and the FSIR-100 must be purchased if photocell capability is desired.**

EPA SPECIFICATIONS:

EFFECTIVE PROJECTED AREA (EPA) IN SQ. FT [SINGLE FIXTURE]									
FIXTURE TILT/AIMING ANGLE									
MODEL NUMBER	0°	10°	20°	30°	45°	60°	70°	80°	90°
QM-2A	0.27	0.44	0.66	0.89	1.03	1.42	1.52	1.59	1.61
QM-3A	0.32	0.49	0.75	1.02	1.22	1.64	1.76	1.84	1.86
QM-4A	0.37	0.53	0.84	1.15	1.41	1.87	2.01	2.1	2.13
QM-5A	0.41	0.58	0.93	1.28	1.59	2.09	2.25	2.35	2.39
QM-6A	0.46	0.63	1.02	1.41	1.79	2.32	2.51	2.62	2.66

PHYSICAL SPECIFICATIONS:

MAIN BODY FIXTURE				
	LENGTH	WIDTH	HEIGHT	WEIGHT
QM-2A	12.9"	13.6"	2.5"	10.0 lbs
QM-3A	15.2"	13.6"	2.5"	11.7 lbs
QM-4A	17.6"	13.6"	2.5"	14.6 lbs
QM-5A	19.9"	13.6"	2.5"	16.6 lbs
QM-6A	22.3"	13.6"	2.5"	18.6 lbs

PHOTOMETRIC PERFORMANCE:

AREA LIGHT

		4000K					
		T3		T4		T5	
MODEL NUMBER	WATTS	LUMENS	LPW	LUMENS	LPW	LUMENS	LPW
QM-2A	55	5,915	105	5,768	103	5,848	104
QM-3A	80	8,694	107	8,505	102	8,758	106
QM-4A	110	11,864	110	11,299	105	11,675	108
QM-5A	135	14,624	107	13,960	106	14,417	108
QM-6A	160	17,775	109	17,332	107	17,537	107

PHOTOMETRIC PERFORMANCE:
AREA LIGHT

		5000K					
		T3		T4		T5	
MODEL NUMBER	WATTS	LUMENS	LPW	LUMENS	LPW	LUMENS	LPW
QM-2A	55	6,108	108	5,933	104	6,090	105
QM-3A	80	9,108	111	8,845	107	9,060	110
QM-4A	110	12,506	113	12,038	111	12,291	114
QM-5A	135	15,385	116	14,869	112	15,258	113
QM-6A	160	17,953	113	17,661	108	17,839	110

PHOTOMETRIC PERFORMANCE:
FLOOD LIGHTING

		4000K					
				BEAM ANGLE (50%)		FIELD ANGLE (10%)	
MODEL#	LUMENS	LPW	NEMA	HORIZONTAL	VERTICAL	HORIZONTAL	VERTICAL
QM-2AxxT3	5,915	105	7x6	119°	42°	138°	107°
QM-2AxxT4	5,768	103	7x6	108°	29°	140°	127°
QM-2AxxT5	5,848	104	7x7	120°	122°	136°	141°
QM-3AxxT3	8,694	107	7x6	120°	34°	140°	112°
QM-3AxxT4	8,505	102	7x6	111°	29°	143°	130°
QM-3AxxT5	8,758	106	6x7	96°	140°	115°	149°
QM-4AxxT3	11,864	110	7x6	121°	39°	141°	114°
QM-4AxxT4	11,299	105	7x6	116°	32°	146°	129°
QM-4AxxT5	11,675	108	7x7	122°	121°	135°	136°
QM-5AxxT3	14,624	107	7x6	121°	40°	143°	115°
QM-5AxxT4	13,960	106	7x7	116°	34°	147°	133°
QM-5AxxT5	14,417	108	7x7	123°	124°	143°	144°
QM-6AxxT3	17,775	109	7x6	124	36°	147°	112°
QM-6AxxT4	17,332	107	7x7	118	36°	148°	135°
QM-6AxxT5	17,537	107	6x7	106	140°	126°	149°

		5000K					
				BEAM ANGLE (50%)		FIELD ANGLE (10%)	
MODEL#	LUMENS	LPW	NEMA	HORIZONTAL	VERTICAL	HORIZONTAL	VERTICAL
QM-2AxxT3	6,108	108	7x6	119°	36°	136°	113°
QM-2AxxT4	5,933	104	7x7	116°	32°	146°	130°
QM-2AxxT5	6,090	105	7x6	140°	95°	149°	112°
QM-3AxxT3	9,108	111	7x6	125°	47°	149°	119°
QM-3AxxT4	8,845	107	7x7	108°	266°	141°	139°
QM-3AxxT5	9,060	110	6x7	107°	140°	128°	149°
QM-4AxxT3	12,506	113	7x6	125°	49°	149°	120°
QM-4AxxT4	12,038	111	7x7	107°	26°	140°	138°
QM-4AxxT5	12,291	114	6x7	109°	140°	127°	149°
QM-5AxxT3	15,385	116	7x6	129°	50°	154°	120°
QM-5AxxT4	14,869	112	7x7	110°	27°	143°	141°
QM-5AxxT5	15,258	113	6x7	108°	140°	127°	149°
QM-6AxxT3	17,953	113	7x6	124°	40°	147°	113°
QM-6AxxT4	17,661	108	7x7	122°	36°	150°	139°
QM-6AxxT5	17,839	110	7x7	123°	123°	143°	143°

BACKLIGHT, UPLIGHT, AND GLARE RATINGS:

4000K									
	T3			T4			T5		
MODEL NUMBER	BACKLIGHT	UPLIGHT	GLARE	BACKLIGHT	UPLIGHT	GLARE	BACKLIGHT	UPLIGHT	GLARE
QM-2AU7	B1	U1	G1	B1	U1	G1	B3	U1	G1
QM-3AU7	B2	U1	G2	B2	U1	G2	B3	U1	G2
QM-4AU7	B2	U1	G2	B2	U1	G2	B4	U1	G2
QM-5AU7	B3	U2	G3	B2	U2	G2	B4	U2	G2
QM-6AU7	B3	U2	G3	B3	U2	G3	B4	U2	G2

5000K									
	T3			T4			T5		
MODEL NUMBER	BACKLIGHT	UPLIGHT	GLARE	BACKLIGHT	UPLIGHT	GLARE	BACKLIGHT	UPLIGHT	GLARE
QM-2AU7	B2	U1	G1	B1	U1	G2	B3	U1	G1
QM-3AU7	B2	U1	G2	B2	U1	G2	B3	U1	G2
QM-4AU7	B3	U1	G3	B2	U1	G2	B4	U1	G2
QM-5AU7	B3	U2	G3	B2	U2	G3	B4	U2	G2
QM-6AU7	B3	U2	G3	B3	U2	G3	B4	U2	G2

ISOFOOTCANDLE:

The distance of the side of each square represents 1 mounting height.

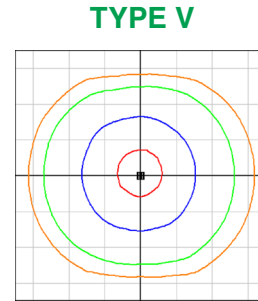
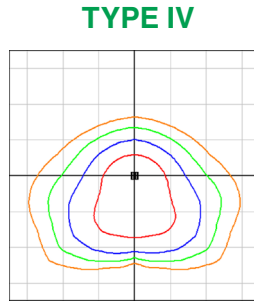
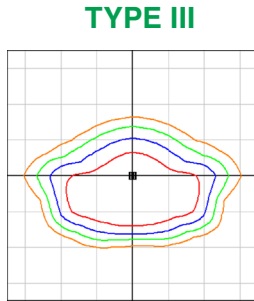
For mounting heights other than noted multiply FC by factor:

$$\text{Factor} = \frac{(\text{Chart's Mtg Height})^2}{(\text{Actual Mtg Height})^2}$$

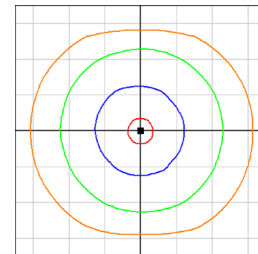
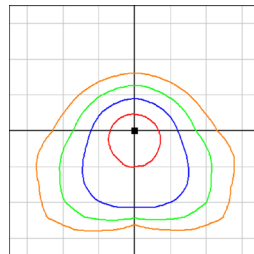
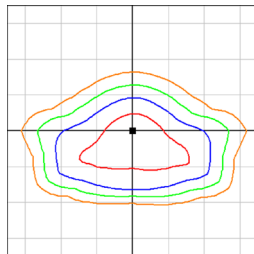
LEGEND

- 0.25 fc
- 0.50 fc
- 1.00 fc
- 2.00 fc

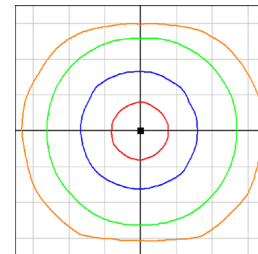
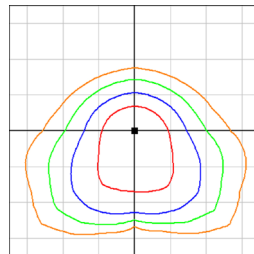
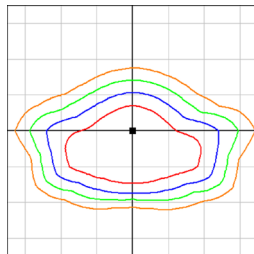
QM-2A
15 ft mounting height



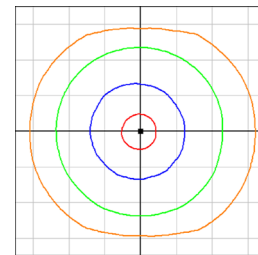
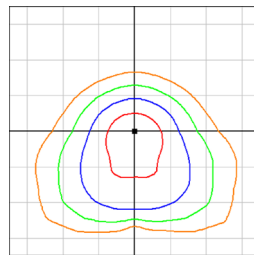
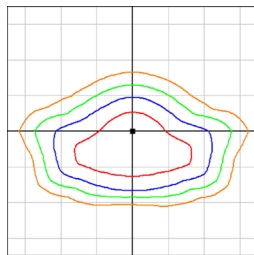
QM-3A
20 ft mounting height



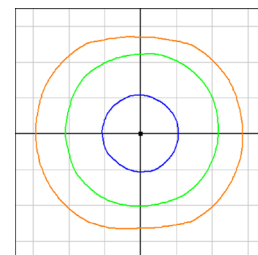
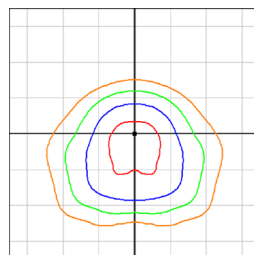
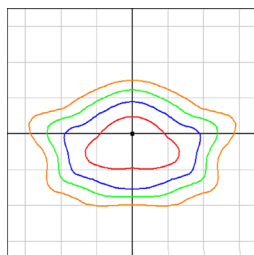
QM-4A
20 ft mounting height



QM-5A
25 ft mounting height

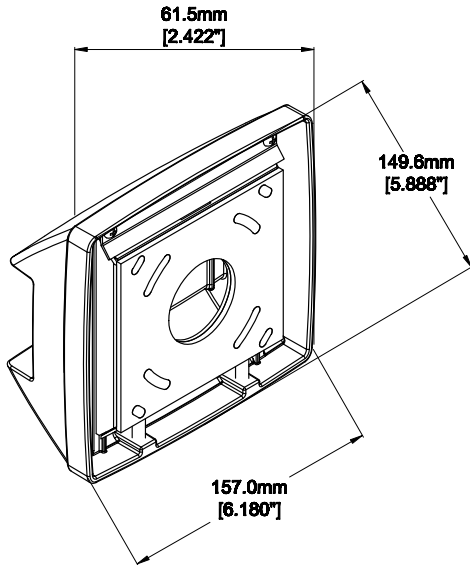


QM-6A
30 ft mounting height

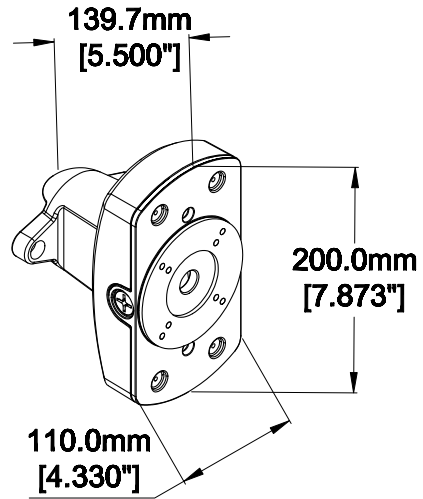


MOUNTING ENGINEERING DRAWINGS:

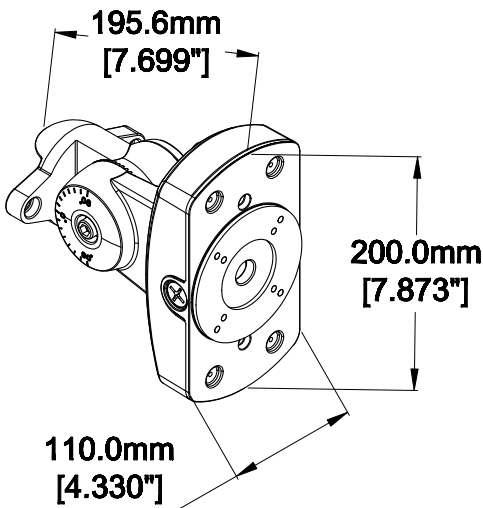
WALL MOUNT



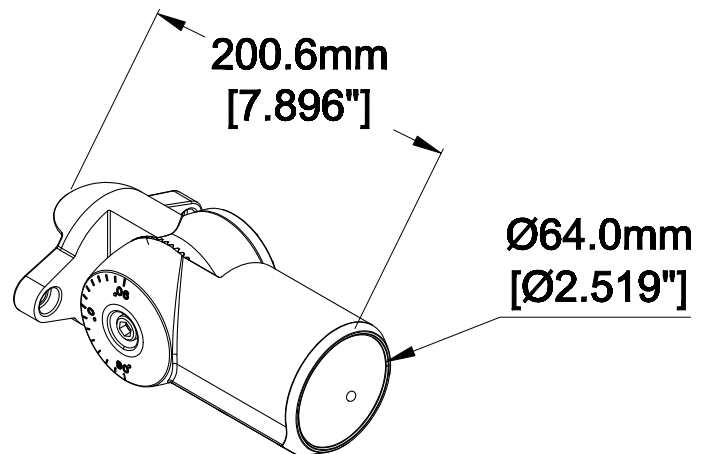
FIXED SURFACE MOUNT



KNUCKLE SURFACE MOUNT

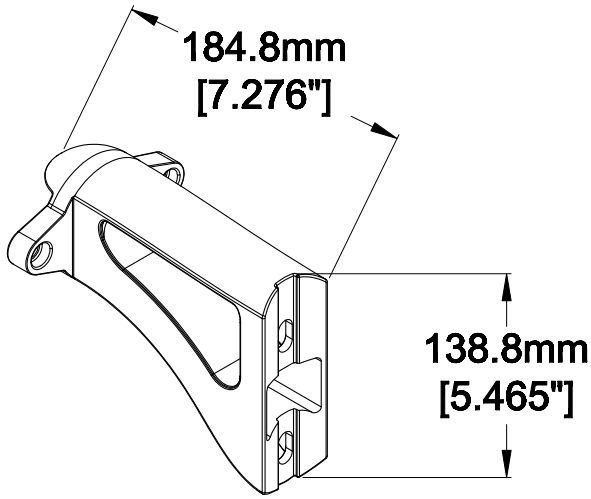


SLIPFITTER KNUCKLE MOUNT

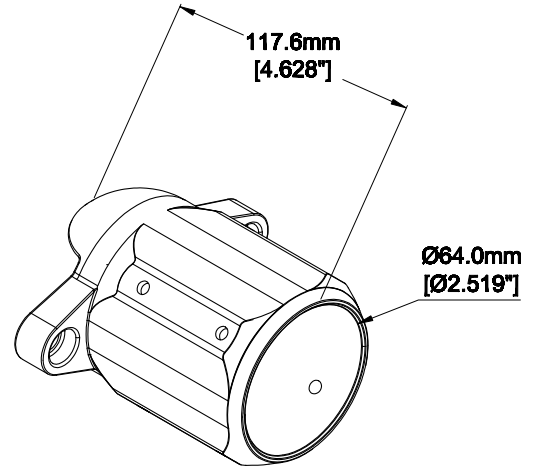


MOUNTING ENGINEERING DRAWINGS:

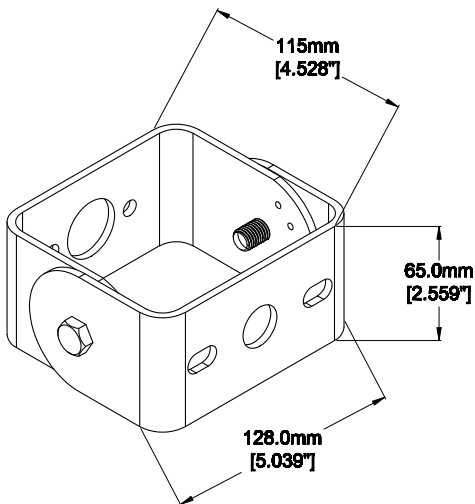
POLE MOUNT



SLIPFITTER FIXED MOUNT



TRUNNION SWIVEL MOUNT



CANOPY MOUNT

