



POWERDAK

POWER PRODUCTS, LLC

Diesel Product Line

208-600 Volt

BSJD80KWSP

60 Hz / 1800 RPM

80kWe/70kWe

Standby / Prime

Ratings

	240V	208V	240V	480V	600V
Phase	1	3	3	3	3
PF	1.0	0.8	0.8	0.8	0.8
Hz	60	60	60	60	60
Generator Model	363CSL1607	362CSL1604	362CSL1604	362CSL1604	362PSL1635
Connection	12 LEAD ZIG-ZAG	12 LEAD WYE	12 LEAD DELTA	12 LEAD WYE	4 LEAD WYE
Standby					
kWe	80	80	80	80	80
AMPS	333	278	241	120	96
Temp Rise	130°C / 27°C	130°C / 27°C	130°C / 27°C	130°C / 27°C	130°C / 27°C
Prime [Only Available For Mobile Applications]					
kWe	70	70	70	70	70
AMPS	292	243	211	105	84
Temp Rise	105°C / 40°C	105°C / 40°C	105°C / 40°C	105°C / 40°C	105°C / 40°C

Standard Equipment

Engine

- ▶ Radiator Cooled Unit Mounted (50°C)
- ▶ Blower Fan & Fan Drive
- ▶ Starter & Alternator
- ▶ Oil Pump & Filter
- ▶ Oil Drain Extension w/Valve
- ▶ Governor - Electronic Isochronous
- ▶ 12V Battery System & Cables
- ▶ Air Cleaner (Dry Single Stage)
- ▶ Flexible Fuel Connector
- ▶ EPA Certified Tier 3

Listing Certifications

- ▶ UL 2200 Listed
- ▶ cUL Listed
- ▶ CSA Certified
- ▶ Seismic Certified to IBC 2012

Generator

- ▶ Brushless Single Bearing
- ▶ Automatic Voltage Regulator
- ▶ ± 1% Voltage Regulation
- ▶ 4 Pole, Rotating Field
- ▶ 130°C Standby Temperature Rise
- ▶ 105°C Prime Temperature Rise
- ▶ 100% of Rated Load - One Step
- ▶ 5% Maximum Harmonic Content
- ▶ NEMA MG 1, IEEE and ANSI Standards Compliance for Temperature Rise

Additional

- ▶ Microprocessor Based Digital Control
- ▶ Interface Connection Box
- ▶ Control Panel Mounted in NEMA 12 Enclosure
- ▶ Base - Formed Steel
- ▶ Main Line Circuit Breaker Mounted & Wired
- ▶ Critical Grade Silencer Mounted
- ▶ Battery Charger 12V 6 Amp
- ▶ Jacket Water Heater -20°F 1500W 120V w/Isolation Valves
- ▶ Vibration Isolation Mounts
- ▶ Radiator Duct Flange (OPU Only)
- ▶ Single Source Supplier
- ▶ 2YR / 2000HR Standby Warranty
- ▶ 1YR / 1500HR Prime Warranty
- ▶ Standard Colors - White / Tan / Gray

Diesel Product Line

BSJD80KWSP
80kWe/70kWe



POWERDAK
POWER PRODUCTS, LLC

Application Data

Engine			
Manufacturer:	John Deere	Displacement - Cu. In. (lit):	275 (4.50)
Model:	4045HF285	Bore - in. (cm) x Stroke - in. (cm):	4.19 (10.6) x 5.00 (12.7)
Type:	4-Cycle	Compression Ratio:	19.0:1
Aspiration:	Turbo Charged, CAC	Rated RPM:	1800
Cylinder Arrangement:	4 Cylinder Inline	Max HP Stby (kWm):	126 (94.0)

Exhaust System	Standby	Prime
Gas Temp. (Stack): °F (°C)	1,069 (576)	1,042 (561)
Gas Volume at Stack Temp: CFM (m³/min)	651 (18.4)	612 (17.3)
Maximum Allowable Exhaust Restriction: in. H ₂ O (kPa)	30.0 (7.50)	30.0 (7.50)
Cooling System		
Ambient Capacity of Radiator: °F (°C)	122 (50.0)	122 (50.0)
Maximum Allowable Static Pressure on Rad. Exhaust: in. H ₂ O (kPa)	0.50 (0.12)	0.50 (0.12)
Water Pump Flow Rate: GPM (lit/min)	48.0 (182)	48.0 (182)
Heat Rejection to Coolant: BTUM (kW)	2,990 (52.3)	2,855 (50.5)
Heat Rejection to CAC: BTUM (kW)	627 (11.8)	640 (11.2)
Heat Radiated to Ambient: BTUM (kW)	1,138 (19.9)	996 (17.4)
Air Requirements		
Aspirating: CFM (m³/min)	234 (6.62)	223 (6.31)
Air Flow Required for Rad. Cooled Unit: CFM (m³/min)	6,541 (185)	6,541 (185)
Air Flow Required for Heat Exchanger/Rem. Rad. CFM (m³/min)	Consult Factory For Remote Cooled Applications	
Fuel Consumption		
At 100% of Power Rating: gal/hr (lit/hr)	6.60 (25.0)	6.04 (22.9)
At 75% of Power Rating: gal/hr (lit/hr)	5.37 (20.3)	4.93 (18.7)
At 50% of Power Rating: gal/hr (lit/hr)	3.96 (15.0)	3.63 (13.8)
Fluids Capacity		
Total Oil System: gal (lit)	3.43 (13.0)	3.43 (13.0)
Engine Jacket Water Capacity: gal (lit)	2.24 (8.50)	2.24 (8.50)
System Coolant Capacity: gal (lit)	5.40 (20.4)	5.40 (20.4)

Deration Factors

Rated Power is available up to 10,000 ft (3,048 m) at ambient temperatures to 122°F (50°C) standby and prime. Consult factory for site conditions above these parameters.

BSJD80KWSP
80kWe/70kWe

Diesel Product Line

BSJD80KWSP
80kWe/70kWe

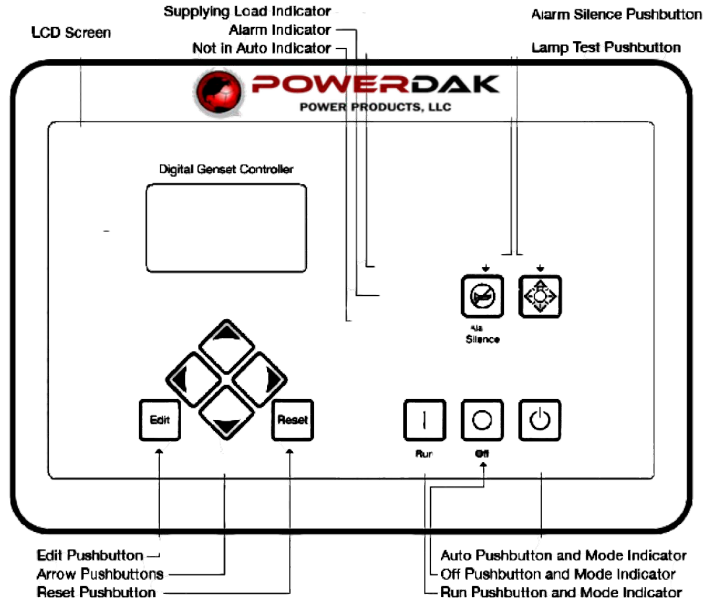


POWERDAK
 POWER PRODUCTS, LLC

DGC-2020 Control Panel

Standard Features

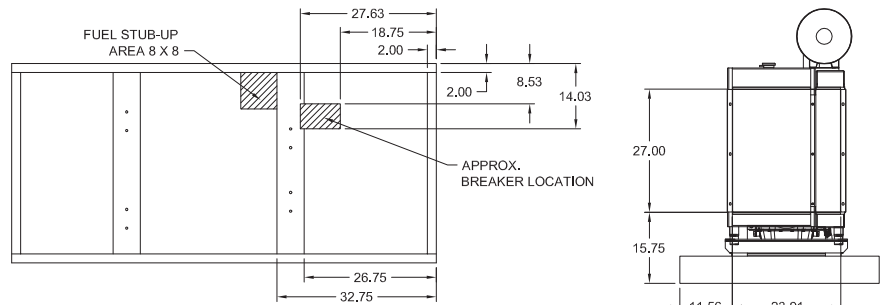
- ▶ Digital Metering
- ▶ Engine Parameters
- ▶ Generator Protection Functions
- ▶ Engine Protection
- ▶ CAN Bus ECU Communications
- ▶ Windows-Based Software
- ▶ Multilingual Capability
- ▶ Remote Communications to RDP-110 Remote Annunciator
- ▶ 16 Programmable Contact Inputs
- ▶ Up to 15 Contact Outputs (7 standard)
- ▶ UL Recognized, CSA Certified, CE Approved
- ▶ Event Recording
- ▶ IP 54 Front Panel Rating with Integrated Gasket
- ▶ NFPA 110 Level 1 Compatible



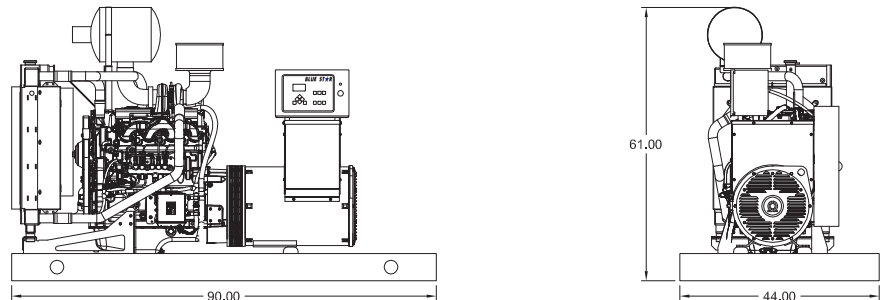
Weights / Dimensions / Sound Data

	L x W x H	Weight lbs
OPU	90 x 44 x 61 in	2,425
Level 1	102 x 44 x 66 in	3,050
Level 2	102 x 44 x 66 in	3,100
Level 3	132 x 44 x 66 in	3,275

Please allow 6-12 inches for height of exhaust stack.



	No Load	Full Load
OPU	77 dBA	81 dBA
Level 1	74 dBA	77 dBA
Level 2	71 dBA	73 dBA
Level 3	65 dBA	67 dBA



Drawings based on standard open power 480 volt standby generator. Lengths may vary with other voltages. Subject to change without notice. Sound data as measured at 23 feet (7 meters) in accordance with ISO 8528-10 at standby rating.

Diesel Product Line

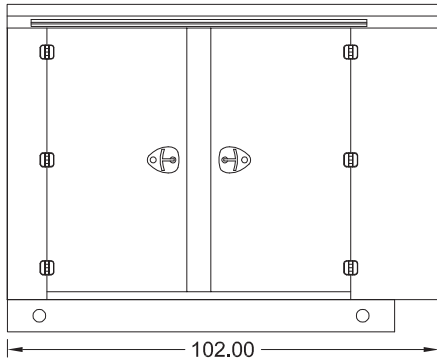
BSJD80KWSP
80kWe/70kWe



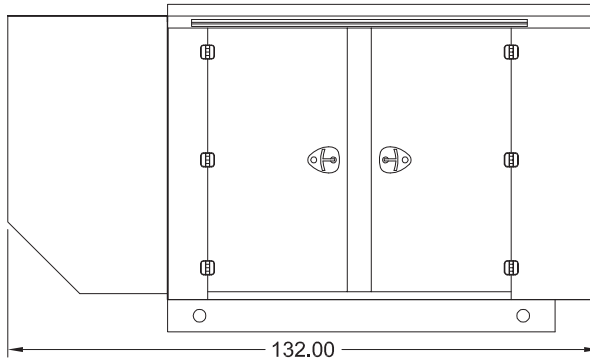
POWERDAK
 POWER PRODUCTS, LLC

Enclosures

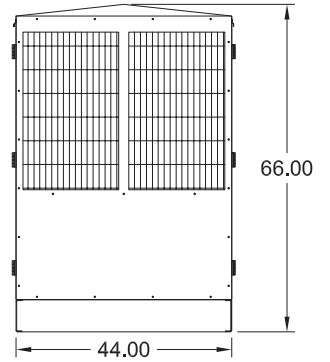
Level 1 & 2 | Side View (Weather Proof)



Level 3 | Side View (Sound Attenuated)



Level 1, 2 & 3 | Intake View



All enclosures are 150 MPH Wind Rated.

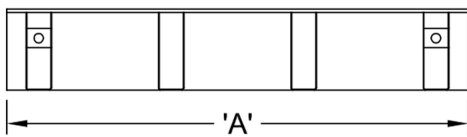
Level 2 & 3 enclosures include sound attenuation foam.

Level 3 enclosure includes frontal sound & exhaust hood.

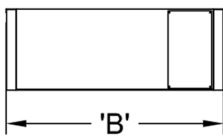
*Enclosure height does not include exhaust stack.

Double Wall UL 142 Listed Fuel Tanks

Side View



Rear View



	24 Hour 250 Gallon	48 Hour 500 Gallon	72 Hour 750 Gallon
A	90.00	120.00	174.00
B	44.00	44.00	44.00
C	28.00	36.00	36.00

All specification sheet dimensions are represented in inches. All enclosures and fuel tanks are based on the standard standby unit configuration. Any deviation can change dimensions. Materials and specification subject to change without notice.

Powerdak Power Products-3350 Jet Drive,Rapid City, South Dakota 57703-605.341.6160 Ext.1-Fax 605.718.9998
 email:dave@dakgenerator.com

BSJD80KWSP
80kWe/70kWe

American Owned



American Made