



## Gaseous Product Line

**208-600 Volt**

**BSNG425KWS**

**60 Hz / 1800 RPM**

**425 kWe**

**Standby**

## Ratings

	208V	240V	480V	600V
<b>Phase</b>	3	3	3	3
<b>PF</b>	0.8	0.8	0.8	0.8
<b>Hz</b>	60	60	60	60
<b>Generator Model</b>	572RSL4025	572RSL4025	572RSL4025	572RSS4270
<b>Connection</b>	12 LEAD WYE	12 LEAD DELTA	12 LEAD WYE	4 LEAD WYE
<b>Standby</b>				
<b>kWe Nat (LP)</b>	425 (300)	425 (300)	425 (300)	425 (300)
<b>AMPS Nat (LP)</b>	1476 (1042)	1280 (903)	639 (451)	512 (361)
<b>Temp Rise</b>	105°C / 40°C	105°C / 40°C	105°C / 40°C	105°C / 40°C

## Standard Equipment

- |   |  |   |
|---|--|---|
| <p><b>Engine</b></p> <ul style="list-style-type: none"> <li>▶ Radiator Cooled Unit Mounted (50°C)</li> <li>▶ Blower Fan &amp; Fan Drive</li> <li>▶ Starter &amp; Alternator</li> <li>▶ Oil Pump &amp; Filter</li> <li>▶ Oil Drain Extension w/Valve</li> <li>▶ Governor - Electronic Isochronous</li> <li>▶ 24V Battery System &amp; Cables</li> <li>▶ Air Cleaner (Dry Single Stage)</li> <li>▶ Flexible Fuel Connector</li> <li>▶ EPA Certified</li> <li>▶ MasterTrak Remote Monitoring System</li> </ul> <p><b>Listing Certifications</b></p> <ul style="list-style-type: none"> <li>▶ UL 2200 Listed</li> <li>▶ cUL Listed</li> <li>▶ CSA Certified</li> <li>▶ Seismic Certified to IBC 2012</li> </ul> | <p><b>Generator</b></p> <ul style="list-style-type: none"> <li>▶ Brushless Single Bearing</li> <li>▶ Automatic Voltage Regulator</li> <li>▶ ± .25% Voltage Regulation</li> <li>▶ 4 Pole, Rotating Field</li> <li>▶ 105°C Standby Temperature Rise</li> <li>▶ 100% of Rated Load - One Step</li> <li>▶ 5% Maximum Harmonic Content</li> <li>▶ NEMA MG 1, IEEE and ANSI Standards Compliance for Temperature Rise</li> </ul> | <p><b>Additional</b></p> <ul style="list-style-type: none"> <li>▶ Microprocessor Based Digital Control</li> <li>▶ Interface Connection Box</li> <li>▶ Control Panel Mounted in NEMA 12 Enclosure</li> <li>▶ Base - Structural Steel</li> <li>▶ Main Line Circuit Breaker Mounted &amp; Wired</li> <li>▶ Catalyst / Silencer Mounted</li> <li>▶ Battery Charger 24V 5 Amp</li> <li>▶ Jacket Water Heater -20°F 5000W 240V w/Isolation Valves</li> <li>▶ Vibration Isolation Mounts (Pad Type)</li> <li>▶ Radiator Duct Flange (OPU Only)</li> <li>▶ Single Source Supplier</li> <li>▶ 2YR / 2000HR Standby Warranty</li> <li>▶ Standard Colors - White / Tan / Gray</li> </ul> |
|---|--|---|

# Gaseous Product Line

**BSNG425KWS**  
**425 kWe**



**POWERDAK**  
POWER PRODUCTS, LLC

## Application Data

Engine			
Manufacturer:	Power Solutions International	Displacement - Cu. In. (lit):	1,338 (21.9)
Model:	D219TICHO	Bore - in. (cm) x Stroke - in. (cm):	5.04 (12.8) x 5.59 (14.2)
Type:	4-Cycle	Compression Ratio:	10.5 : 1
Aspiration:	Turbo Charged, CAC	Rated RPM:	1800
Cylinder Arrangement:	12 Cylinder Vee	Max HP Stby (kWm):	649 (484)

Exhaust System	Standby
Gas Temp. (Stack): °F (°C)	1,350 (732)
Gas Volume at Stack Temp: CFM (m³/min)	3,179 (89.8)
Maximum Allowable Exhaust Restriction: in. H <sub>2</sub> O (kPa)	40.8 (10.2)

Cooling System	
Ambient Capacity of Radiator: °F (°C)	122 (50.0)
Maximum Allowable Static Pressure on Rad. Exhaust: in. H <sub>2</sub> O (kPa)	0.50 (0.12)
Water Pump Flow Rate: GPM (lit/min)	174 (659)
Heat Rejection to Coolant: BTUM (kW)	27,342 (479)
Heat Rejection to CAC: BTUM (kW)	6,454 (113)
Heat Radiated to Ambient: BTUM (kW)	3,629 (63.5)

Air Requirements	
Aspirating: CFM (m³/min)	1027 (29.1)
Air Flow Required for Rad. Cooled Unit: CFM (m³/min)	40,000 (1,132)
Air Flow Required for Heat Exchanger/Rem. Rad. CFM (m³/min)	Consult Factory For Remote Cooled Applications

Fuel Consumption	Natural Gas	LP
At 100% of Power Rating: ft <sup>3</sup> /hr (m <sup>3</sup> /hr)	4,490 (127)	1,408 (39.8)
At 75% of Power Rating: ft <sup>3</sup> /hr (m <sup>3</sup> /hr)	3,500 (99.0)	1,098 (31.1)
At 50% of Power Rating: ft <sup>3</sup> /hr (m <sup>3</sup> /hr)	2,456 (69.54)	770 (21.8)
Fuel Inlet Size: NPT		3.00"
Fuel Pressure Required: in. H <sub>2</sub> O (kPa)		7.00 - 11.0 (1.75 - 2.70)

Fluids Capacity	
Total Oil System: gal (lit)	10.6 (40.0)
Engine Jacket Water Capacity: gal (lit)	13.8 (52.3)
System Coolant Capacity: gal (lit)	60.2 (228)

All calculations based on natural gas fuel.

Deration Factors: Temperature: Derate 1.5% Per 10°F Over 77°F Air Inlet Temperature | Altitude: Derate 2.5% Per 1,000 ft Over 1,200 ft

# Gaseous Product Line

**BSNG425KWS**  
**425 kWe**

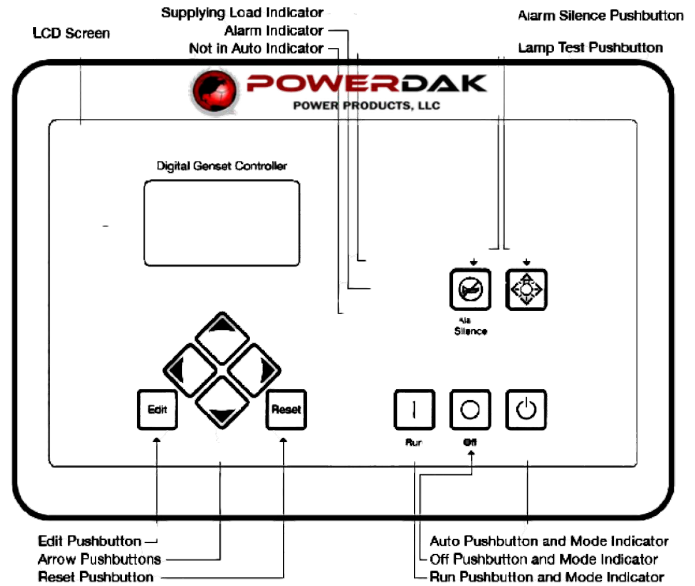


**POWERDAK**  
POWER PRODUCTS, LLC

## DGC-2020 Control Panel

### Standard Features

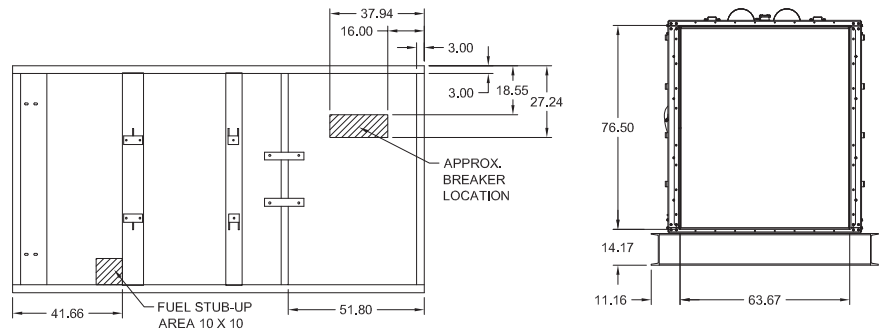
- ▶ Digital Metering
- ▶ Engine Parameters
- ▶ Generator Protection Functions
- ▶ Engine Protection
- ▶ CAN Bus ECU Communications
- ▶ Windows-Based Software
- ▶ Multilingual Capability
- ▶ Remote Communications to RDP-110 Remote Annunciator
- ▶ 16 Programmable Contact Inputs
- ▶ Up to 15 Contact Outputs (7 standard)
- ▶ UL Recognized, CSA Certified, CE Approved
- ▶ Event Recording
- ▶ IP 54 Front Panel Rating with Integrated Gasket
- ▶ NFPA 110 Level 1 Compatible



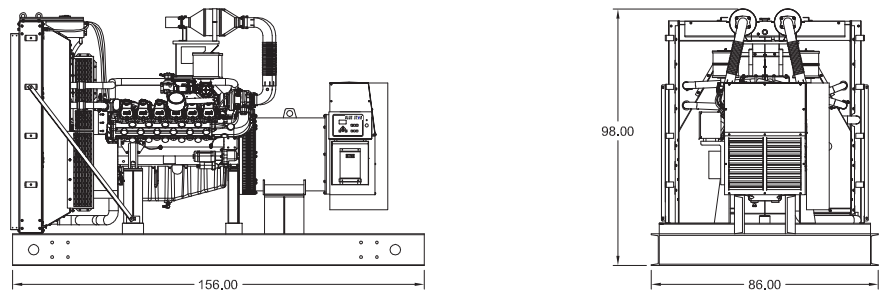
## Weights / Dimensions / Sound Data

	L x W x H	Weight lbs
<b>OPU</b>	156 x 86 x 98 in	10,875
<b>Level 1</b>	156 x 86 x 110 in	12,525
<b>Level 2</b>	156 x 86 x 110 in	12,650
<b>Level 3</b>	228 x 86 x 110 in	13,350

Please allow 6-12 inches for height of exhaust stack.



	No Load	Full Load
<b>OPU</b>	84 dBA	87 dBA
<b>Level 1</b>	82 dBA	85 dBA
<b>Level 2</b>	77 dBA	80 dBA
<b>Level 3</b>	72 dBA	75 dBA



Drawings based on standard open power 480 volt standby generator. Lengths may vary with other voltages. Subject to change without notice. Sound data as measured at 23 feet (7 meters) in accordance with ISO 8528-10 at standby rating.

# Gaseous Product Line

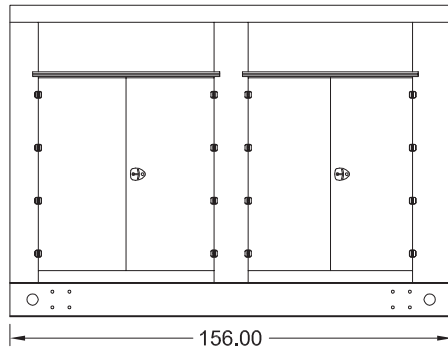
**BSNG425KWS**  
**425 kWe**



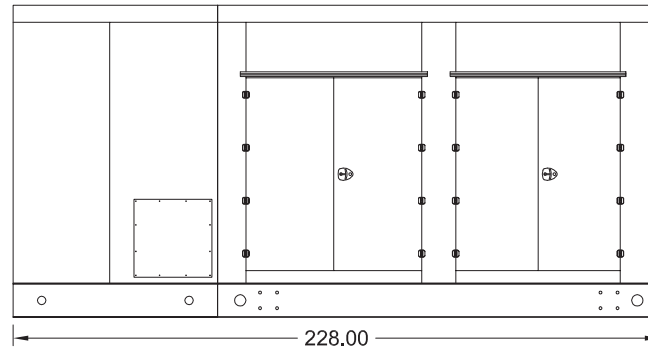
**POWERDAK**  
POWER PRODUCTS, LLC

## Enclosures

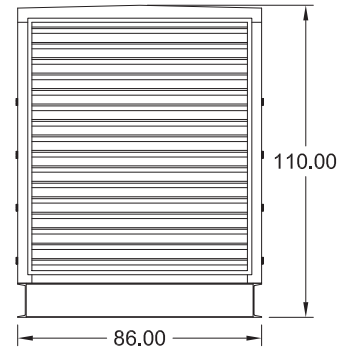
Level 1 & 2 | Side View (Weather Proof)



Level 3 | Side View (Sound Attenuated)



Level 1, 2 & 3 | Intake View



All enclosures are 150 MPH Wind Rated.

Level 2 & 3 enclosures include sound attenuation foam.

Level 3 enclosure includes frontal sound & exhaust hood.

\*Enclosure height does not include exhaust stack.

All specification sheet dimensions are represented in inches. Materials and specifications subject to change without notice.

Powerdak Power Products - 3350 Jet Drive, Rapid City, South Dakota 57703 - 605.341.6160 Ext 1 - Fax 605.718.9998  
e-mail: [dave@dakgenerator.com](mailto:dave@dakgenerator.com)

American Owned



American Made

**BSNG425KWS**  
**425 kWe**